



CRANE CERTIFICATION FLUID WEIGHT WATER BAGS

Streamline your crane testing operations with Canflex load test bags and load measuring products. Made from 100% high tenacity, PVC coated, polyester fabric material which comes ready with: safety shackles, master link, fluid transfer fittings, and valves required for operation.

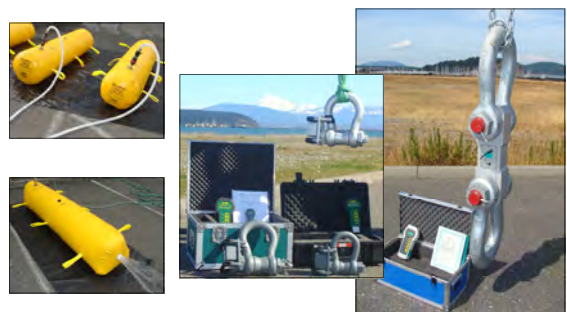
These bags can also be used as an emergency fluid storage container.

Some of the Crane Certification Fluid Weight Water Bags features are:

- Capacities range from 1 to 100 Tonnes (1,000 to 100,000 kg)
- Multiple clusters of up to 300t from a single hook (3 x CT/CPS-100) can be used for larger test loads
- Foldable for easy storage and transportation
- Used worldwide for ship deck cranes, offshore rigs and general purpose cranes
- Sizes 1 to 10 Tonnes water bags shipped with carry/ storage bag
Sizes 12.5 to 100 Tonnes water bags includes Clip-Lok wood shipping / storage box.
- Water Bag 3D Model FEA (Finite Element Analysis) Force & Stress
- All Canflex water bags with "Generic" **ABS Weight & Volume Certifications**
- All **Canflex** Crane Test Water Bags maintain a minimum **7:1 Safety Factor** of the operational water test bag's Working Load
- Test multiple crane sizes with one fluid weight
- All products are Manufactured in accordance with **ISO 9001:2015** Quality Management Standard (Canflex (USA), Inc. holds certificate No FM 787453.)

LIFEBOAT TEST WATER BAGS

Lifeboat test water bags are used for evenly distributed load tests. These test water bags come with fill/offload fittings and an automatic relief valve which is activated once the lifeboat bags achieve the desired weight. **Capacities: 100, 250, 375, 400 & 1000 kg**



Accessories / Parts Included

- *1" NPT flange connection
 - 3/4" Threaded Plug with lanyard Drain/Vent
 - Relief Valve
 - 1" Ball Valve w/ female camlock
- *2" Also available

Optional Accessories

- 20 ft x 1" suction hose with camlocks
- Port Drain Manifold with camlocks(4 or 6 ports)
- 50 ft x 2" discharge fire hose
- Water meter (gallons or m³)
- Air driven double Diaphragm pump
- 6 ft x 2" suction hose with camlocks
- Clip-Lok wood shipping box
- Complete Fill/ Offload LBB kit

LOAD CELLS & LOAD SHACKLES

- **Load Cells Capacities: 5 to 500 Tonnes**
- **Load Shackles Capacities: 6.5 to 1,000 Tonnes**
- Aluminum carry/storage case
- Wireless & Cabled Remote Readout
- High Resolution Digital Display
- Multi-Unit Operation In One Area
- Link Switch On/Off From Hand Held
- 4-Switch Units Lb/Ton/Kg/Tonnes
- Operates On AA Alkaline Batteries
- 500 hour battery life
- Up to 550 yd (500m) operating range
- Safety Bolt Type Shackles
- User friendly

CANFLEX CRANE CERTIFICATION FLUID WEIGHT WATER BAGS

MODEL		Weight	Volume	Empty Height (Length)	Filled Height (L)	Max Diam (ø)	Dry Weight without Accessories	Fittings	Shipping Volume with Accessories	Shipping Weight with Accessories
		kg	Liters / m ³	m	m	m	kg	3"NPT	M ³	kg
		lb	USG	ft	ft	ft	lb	4"NPT	ft ³	lb
**	CT/CPS-1LH (TONNE)	1,000	1,000 / 1	2.52	2.23	1.39	36	2	^a 0.85	^a 64
		2,204	264	8.27	7.33	4.56	80	0	^a 30	^a 140
**	CT/CPS-2LH (TONNE)	2,000	2,000 / 2	2.87	2.6	1.65	41	2	^a 0.85	^a 68
		4,409	528	9.41	8.5	5.43	90	0	^a 30	^a 150
**	CT/CPS-3LH (TONNE)	3,000	3,000 / 3	3.38	2.97	1.82	50	2	^a 0.85	^a 77
		6,613	792	11.11	9.75	6.0	110	0	^a 30	^a 170
**	CT/CPS-4LH (TONNE)	4,000	4,000 / 4	3.41	3.07	1.88	64	2	^a 1.13	^a 90
		8,818	1,056	11.22	10.1	6.16	141	0	^a 40	^a 200
**	CT/CPS-5LH (TONNE)	5,000	5,000 / 5	4.14	3.52	2.13	80	3	^a 1.13	^a 127
		11,023	1,320	13.60	11.58	7.0	176	0	^a 40	^a 280
**	CT/CPS-6LH (TONNE)	6,000	6,000 / 6	4.39	3.91	2.28	86	3	^a 1.13	^a 131
		13,227	1,585	14.41	12.83	7.48	189	0	^a 40	^a 290
**	CT/CPS-8LH (TONNE)	8,000	8,000 / 8	4.54	3.93	2.52	104	3	^a 1.13	^a 156
		17,636	2,113	14.91	12.91	8.27	230	0	^a 40	^a 345
**	CT/CPS-10LH (TONNE)	10,000	10,000 / 10	5.18	4.49	2.70	130	3	^a 1.36	^a 181
		22,046	2,641	17.0	14.75	8.90	286	0	^a 48	^a 400
**	CT/CPS-12.5LH (TONNE)	12,500	12,500 / 12.5	5.43	4.62	2.86	154	3	^b 1.36	^b 254
		27,558	3,302	17.91	15.16	9.39	340	0	^b 48	^b 560
**	CT/CPS-15 (TONNE)	15,000	15,000 / 15	6.24	5.48	2.95	159	3	^b 1.36	^b 263
		33,069	3,962	20.50	18.00	9.70	350	0	^b 48	^b 580
***	CT/CPS-20 (TONNE)	20,000	20,000 / 20	6.78	6.04	3.42	224	1	^c 1.81	^c 376
		44,100	5,283	22.25	19.83	11.25	492	1	^c 64	^c 830
***	CT/CPS-25 (TONNE)	25,000	25,000 / 25	7.51	6.40	3.75	315	1	^c 1.81	^c 416
		55,115	6,604	24.66	21.0	12.33	695	1	^c 64	^c 917
****	CT/CPS-35 (TONNE)	35,000	35,000 / 35	8.07	7.11	3.91	417	1	^c 2.0	^c 521
		77,161	9,246	26.50	23.33	12.83	920	1	^c 71	^c 1150
****	CT/CPS-40 (TONNE)	40,000	40,000 / 40	8.71	7.72	4.07	440	1	^d 2.6	^d 567
		88,184	10,566	28.58	25.33	13.36	970	1	^d 92	^d 1250
*****	CT/CPS-50 (TONNE)	50,000	50,000 / 50	8.99	7.77	4.56	544	1	^d 3.1	^d 796
		110,231	13,208	29.50	25.50	14.96	1200	1	^d 112	^d 1755
*****	CT/CPS-100 (TONNE)	100,000	100,000 / 100	11.27	10.00	5.65	952	1	^e 4.5	^e 1450
		220,462	26,420	37.00	32.90	18.56	2100	2	^e 160	^e 3200

LIFEBOAT TEST WATER BAGS

MODEL		Weight	Volume	Diameter	Length	Dry Weight
		kg	liters / m ³	m	m	kg
		lb	USG	in	in	lb
*	LBB-100	100	100 / 0.10	0.32	1.5	7
		221	26.4	12.5	59	15
*	LBB-250 LBB/FB-250 ^f	250	250 / 0.25	0.51	1.6	9
		551	66.1	20.0	63	20
*	LBB-375 LBB/FB-375 ^f	375	375 / 0.375	0.51	2.26	10
		826	99.2	20.0	89	22
*	LBB-400 LBB/FB-400 ^f	400	400 / 0.40	0.51	2.40	11
		881	105.8	20.0	94.5	25
**	LBB-500	500	500 / 0.50	0.51	2.9	13
		1,102	132.0	20.0	114	28
**	LBB-1000	1000	1000 / 1.0	0.64	3.7	34
		2,204	264	25.0	145	75

MATERIAL SPECIFICATIONS: "High Tenacity PVC coated Polyester Fabric" - with RF (HF) Welded seams
 (*) Material Weight 36 oz/yd² (1220 g/m²). Tensile Strength 700 lbs/in (6130N/5cm); 4x2 Panama weave
 (***) Material Weight 48 oz/yd² (1622 g/m²). Tensile Strength 924 lbs/in (8090 N/5cm); 4x2 Panama weave
 (***) Material Weight 56 oz/yd² (1884 g/m²). Tensile Strength 1260 lbs/in (11034 N/5cm); 4x4 Panama weave
 (****) Material Weight 67 oz/yd² (2278 g/m²). Tensile Strength 2112 lbs/in (18500 N/5cm); 4x4 Panama weave
 (*****) Material Weight 89 oz/yd² (3024 g/m²). Tensile Strength 2258 lbs/in (19780 N/5cm); 6x6 Panama weave



NOTES

- Dry Weight does not include hoses and PVC ball valves.
- "LH" Designates LOW HEADROOM (short) Water Bag
- 250 kg and 500 kg Fluid Weight Water Bags also available. These bags are tetrahedron shape.
- a) Shipping with carry/storage bag made of 18 oz/yd² PVC material; b) Shipping with Clip-Lok Wood box: 48" x 45" x 29"H; c) Shipping with Clip-Lok Wood box: 48"x45"x53"H;
- d) Shipping with Clip-Lok Wood box: 62" x 45" x 62"H; e) Shipping with Clip-Lok Wood box: 88" x 76" x 62"H; f) Gangway Load Test Bags with flat bottom



canflex (USA), Inc.



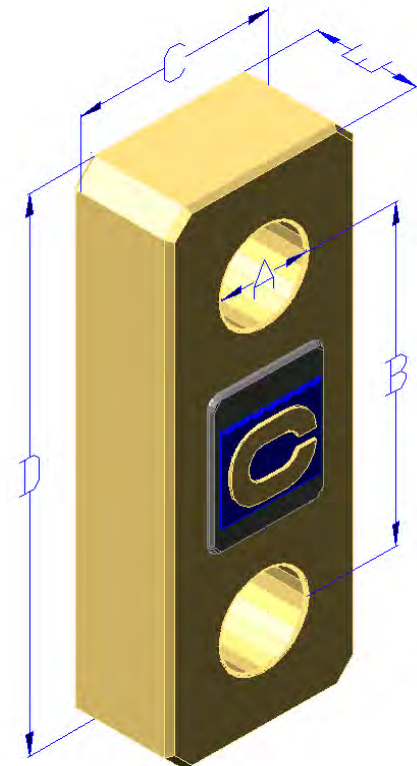
360 Gold Telemetry Load Links

Measurement of Tensile Load in Heavy Industry Applications

Load Cell Features

- Fully Anodized Aerospace grade Aluminum Finish
- Full O-ring sealing water ingress protection of IP67
- Full 360° (600 meter) Signal Transfer
- Internal Antenna - No External Parts
- Linear Construction
- Reverse Voltage Protection
- 500 Plus Hours Life on 3 x AA Batteries
- Simple Battery Change Out
- Capacities Available from 5 to 500 Tonne
- 5 to 50 Tonne Units are Supplied in a Case
- 75 to 500 Tonne in a Hinged Wooden Crate
- Four Switchable Units: Lbs/Tons/Kgs/Tonnes
- Certificate of Calibration

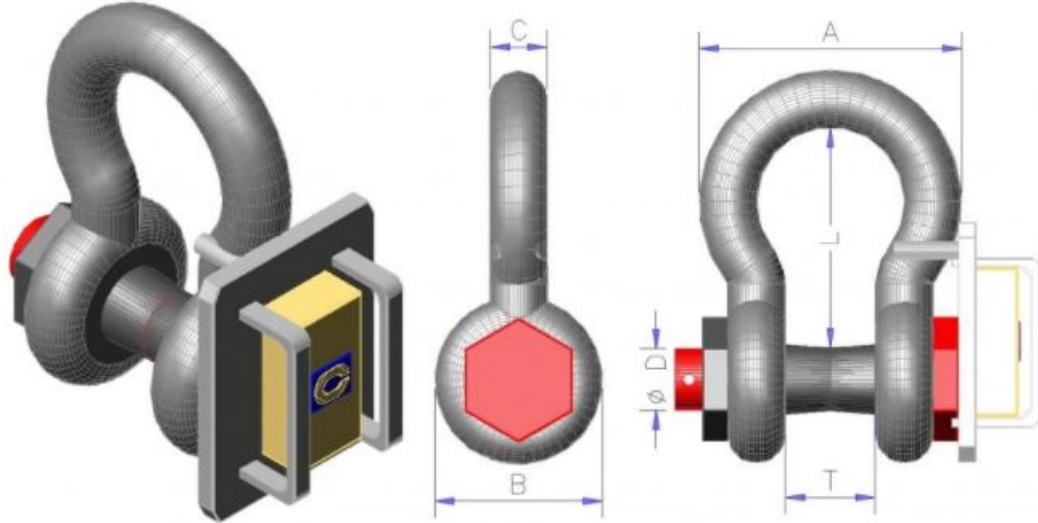
MODEL	Capacity Tonne (Metric)	A (ø)	B	C	D	E	Weight
		mm	mm	mm	mm	mm	kg
		in	in	in	in	in	lbs
JCM-5LC	5.0	26	226	130	293	39	2.6
		1.02	8.89	5.11	11.53	1.53	5.7
JCM-12.5LC	12.5	44	226	130	324	50	5.3
		1.73	8.89	5.11	12.75	1.96	11.7
JCM-25LC	25.0	55	290	136	430	61	7.1
		2.16	11.41	5.35	16.92	2.40	15.7
JCM-35LC	35.0	61	290	140	440	70	9.4
		2.40	11.41	5.51	17.32	2.75	20.7
JCM-50LC	50.0	75	304	170	480	85	15.0
		2.95	11.96	6.69	18.89	3.34	33.0
JCM-75LC	75.0	86	306	190	500	100	17.0
		3.38	12.04	7.48	19.68	3.93	37.5
JCM-100LC	100	100	346	194	556	124	26.1
		3.93	13.62	7.63	21.88	4.88	57.5
JCM-150LC	150	120	396	244	680	127	47.1
		4.72	15.59	9.60	26.77	5.00	104
JCM-200LC	200	132	442	280	784	150	79.0
		5.19	17.40	11.02	30.86	5.90	174
JCM-250LC	250	146	544	300	844	150	TBA
		5.74	21.41	11.81	33.22	5.90	TBA
JCM-300LC	300	160	582	400	1000	150	TBA
		6.29	22.91	15.74	39.37	5.90	TBA
JCM-400LC	400	180	614	400	1098	200	TBA
		7.08	24.17	15.74	43.22	7.87	TBA
JCM-500LC	500	190	600	490	1100	200	TBA
		7.48	23.62	19.29	43.30	7.87	TBA





canflex (USA), Inc.

WIRELESS LOAD SHACKLES



MODEL	Capacity Tonne (Metric)	A	B	C	D	L	T
		mm in	mm in	mm in	mm in	mm in	mm in
LS-6.5	6.5	100 3.94	54 2.13	22 .87	25.4 1.00	84 3.31	38 1.50
		146 5.75	76 2.99	32 1.26	35 1.38	119 4.69	50 1.97
LS-12	12.0	171 6.73	106 4.17	45 1.77	50 1.97	146 5.75	73 2.87
		197 7.76	127 5.00	51 2.01	57 2.24	187 7.36	83 3.27
LS-35	35.0	311 12.24	142 5.59	68 2.68	70 2.76	267 10.51	105 4.13
		339 13.35	159 6.26	70 2.76	73 2.87	260 10.24	105 4.13
LS-55	55.0	420 16.54	203 7.99	92 3.62	95 3.74	350 13.78	130 5.12
		460 18.11	229 9.02	100 3.94	108 4.25	371 14.61	140 5.51
LS-85	85.0	625 24.61	305 12.01	115 4.53	127 5.00	508 20.00	215 8.46

NOTE: Larger sizes also available under special request

