

Specifications

MODEL	INSIDE DIMS	OUTSIDE DIMS	TUBE Ø	CAPACITY	DRY WEIGHT	AIR TUBES Quantity	CORNER DRAIN Quantity
	L X W (m) L X W (ft)	L X W (m) L X W (ft)	cm In	m ³ Gal	Kg Lbs		
SCB-38CM (100%)	8.4 X 8.0	9.6 X 9.3	61	41.6	136	4	1
	27.5 X 26.5	31.5 X 30.5	24	11,000	300		

**MADE IN
USA**



ISO 9001-2015
FM 517957

*This fabric is designed for contact and containment of Hydrocarbons per MIL-T-52983 Rev. G.
*Color: Beige / White (inside)

MATERIAL CONSTRUCTION SPECIFICATIONS

*URETHANE COATED TYPE	WEIGHT	FABRIC TYPE	FABRIC PROPERTIES	TENSILE STRENGTH	TEAR RESISTANCE
	g/m^2 oz/yd ²			N (1inch strip) lbs (1inch strip)	N (Warp / Fill) lb (Warp / Fill)
Hydrocarbons	1,088 32.0	Nylon	Coat: 60/60 Thickness: 45 mils	2,670 600	178 / 334 40 / 75

ITEM NO.	QTY. REQD.	DESCRIPTION	PART #
1	1	BERM FLOOR	BF/MODEL
2	4	AIR CHAMBER "TUBE"	TB/12
3	12	500 SWL HEAVY DUTY HANDHOLD W/ 2" WEBBING	HDL
4	4	PRESURE RELIEF VALVE	1PSI/RV
5	4	AIR INFLATION / DEFLATION VALVE	MONSUN
6	1	2" DRAIN WITH MALE CAMLOCKS	6X2/20A
NOT SHOWN	1	TOOL BOX REPAIR KIT & MANUAL	RPR/KIT-SCB/TPU
NOT SHOWN	1	4" HEAVY DUTY INFLATION HAND PUMP	PMP40
NOT SHOWN	1	CLIP LOK SHIPPING / STORAGE WOOD BOX (OD: 45"X48"X29"H)	CFX1 (Optional)
NOT SHOWN	1	TOOL BOX REPAIR KIT W/ OPERATIONAL MANUAL	RPR/KIT-SCB-FU



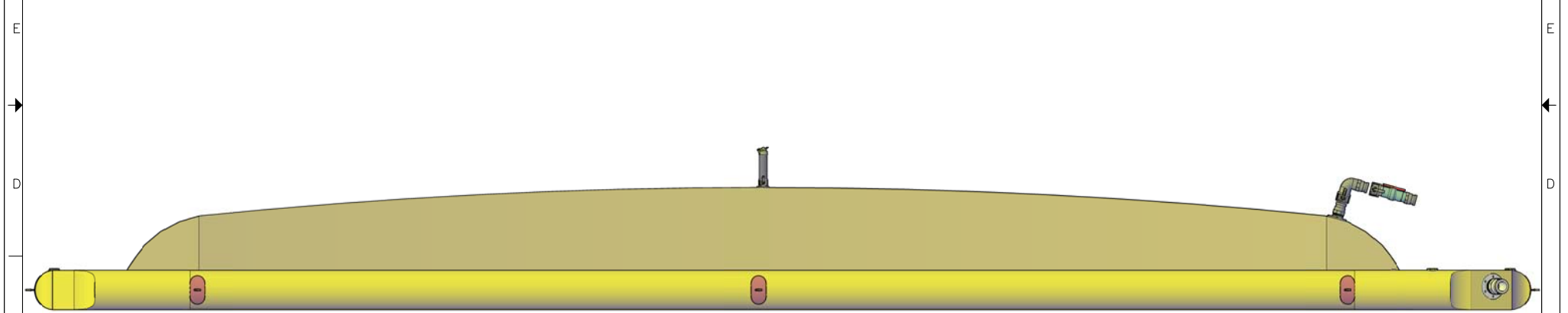
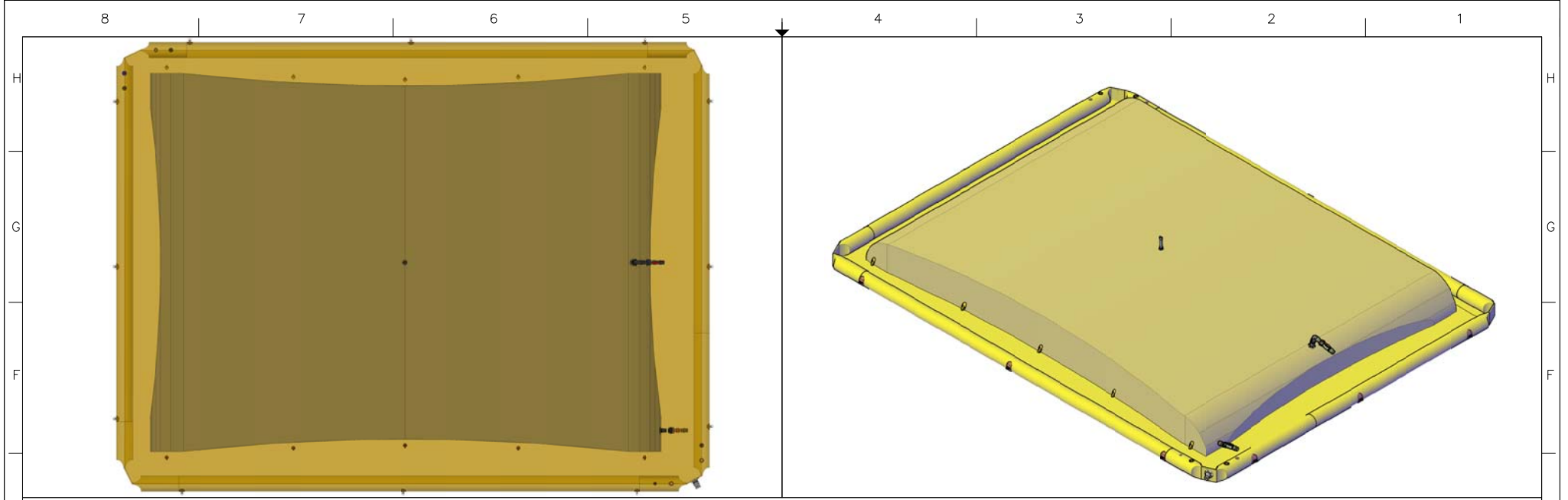
PROJECT:
CANFLEX SECONDARY CONTAINMENT SYSTEM

SCALE: N.T.S
DATE: 01/12/2021

SCB-38CM (100%)

DRAWN BY: F.Y.
REVISED: 12/14/2021

CANFLEX USA INC. PO BOX 1014 , 412 30th St , Anacortes,WA,98221,USA
Tel:(206)282-8233 ; Web: www.canflexinc.com




 ISO 9001-2015
 FM 517957

**MADE IN
 USA**



PROJECT:
**CANFLEX SECONDARY CONTAINMENT BERM WITH
 "AIR CHAMBERS" AND TANK CPT-38CM**

SCALE: N.T.S	DRAWN BY: F.Y.
DATE: 12/14/2021	REVISED:

CANFLEX USA INC. PO BOX 1014 , 412 30th St , Anacortes,WA,98221,USA
Tel:(206)282-8233; email: canflex@direct.ca; Web: www.canflexinc.com